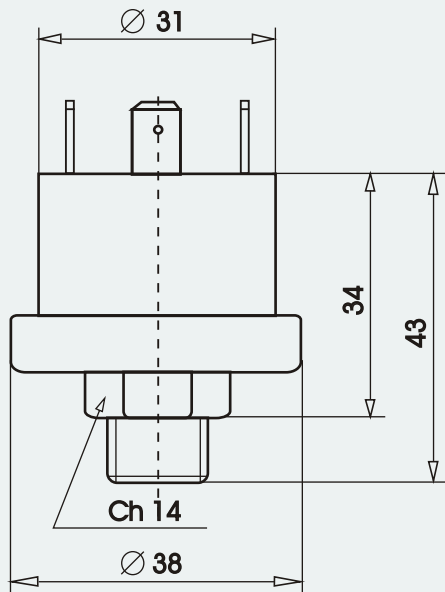


# PRESSURE SWITCH

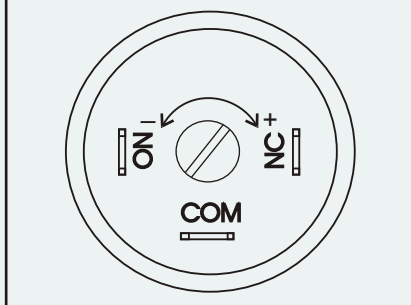
# MOD. XP600



## Specification

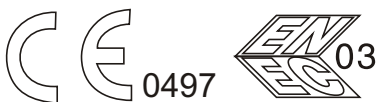
- Pressure Connection - brass
- Thread - 1/4" BSP
- Main Body - Techno Polymer
- Membrane and Sealing - AISI316 and silicon
- Protection Degree - IP00
- Adjustment - by screw
- Electric Intervention - SPDT 10(2)-250VAC
- Electric Connection - Terminal 6.3 × 0.8
- Admitted Temperature - 125°C
- Burst Pressure - higher than 20 bar
- Thermic Drift - 0.04 bar for 10°C with respect to Temperature of + 20°C

### Connections and electric plants



Model Type	Setting Interval	Test Pressure	Fix Differential
<b>XP600</b>	0.2 to 1.2 bar	4 bar	0.3 + / - 0.15 bar
	1 to 2.5 bar	5 bar	0.3 + / - 0.15 bar
	1.5 to 4 bar	6 bar	0.35 + / - 0.15 bar
	2 to 6 bar	8 bar	0.35 + / - 0.2 bar

Homologations : EN60730-1 and EN60730-2-6



## HTA Instrumentation Pvt Ltd.

NO.73, Ramachandra Agrahara, Near T. R. Mills, Chamarajpet, Bangalore560018, India  
 TEL: 080-26749750, 26759253 FAX: 080-26740681, E-mail: hitechas@eth.net, Web: www.htaipl.com

