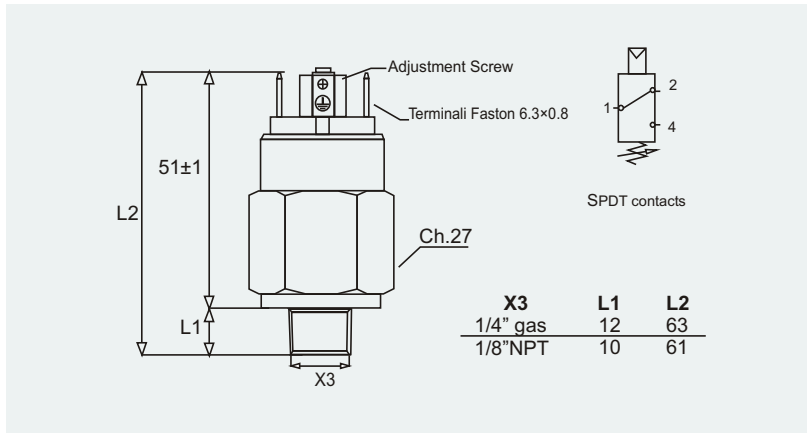


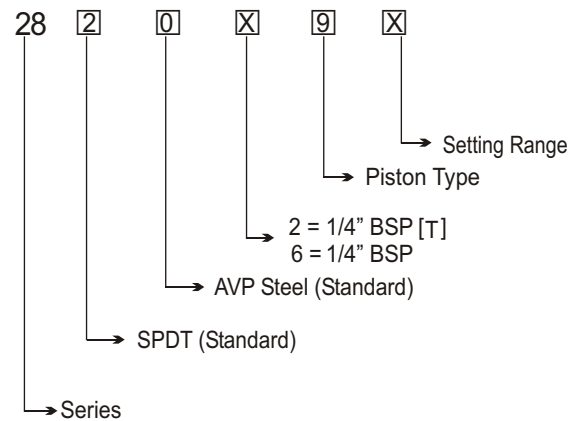
PRESSURE SWITCH

MOD. 28



- **Case** : Passivated AVP steel
- **Electric contact** : Silver Plated
- **Max switches current** : 5A, 250 VAC
- **Max fluid temperature** : 120°C
- **Max Static Pressure** : 600 Bar
- **Mechanical working life** : 10⁶ Operations
- **Action type** : 1B
- **Protection degree**
 - a) with cap 3015001 : IP 54
 - b) with Din cap 3900003 : IP 65 (Din Cap)
- **O Ring** : NBR
- **Hysteresis** : 15 to 30% of setting value Adjustable
- **Weight** : 120 gms. Max

Ordering codes



PART NUMBER

PART NUMBER	Setting range (in bar)	Tolerance @ 20°C (in bar)
28 2 0 X 9 6	30 to 150	± 5
28 2 0 X 9 7	100 to 300	± 10



EUROSWITCH



HTA Instrumentation Pvt Ltd.

NO.73, Ramachandra Agrahara, Near T. R. Mills, Chamarajpet, Bangalore 560018, India
 TEL: 080-26749750, 26759253 FAX: 080-26740681, E-mail: hitechas@eth.net, Web: www.htaipl.com

