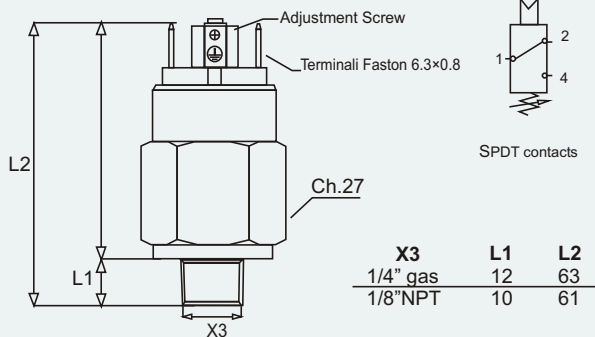


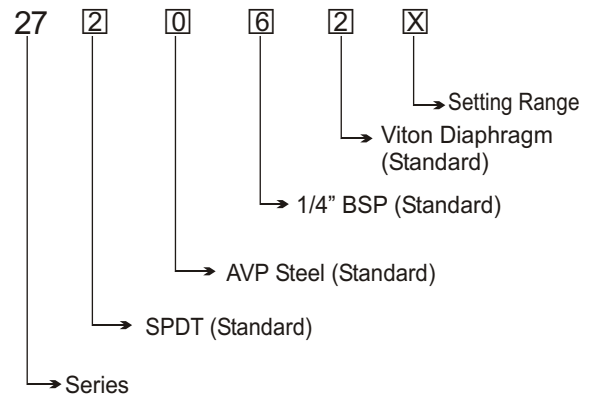
PRESSURE SWITCH

MOD. 27



- **Case** : Passivated AVP steel
- **Electric contact** : Silver Plated
- **Max switches current** : 5A, 250 VAC
- **Max fluid temperature** : 120°C
- **Mechanical working life** : 10⁶ Operations
- **Action type** : 1B
- **Protection degree**
 - a) with cap 3015001 : IP 54
 - b) with Din cap 3900003 : IP 65 (Din Cap)
- **Hysteresis** : 15 to 30% of setting value Adjustable
- **Weight** : 115 gms. Max

Ordering codes



PART NUMBER

PART NUMBER	Setting range (in bar)	Tolerance @ 20°C (in bar)
27 2 0 6 2 0	0.3 to 1.5	± 0.2
27 2 0 6 2 1	1 to 5	± 0.3
27 2 0 6 2 2	1 to 10	± 0.5
27 2 0 6 2 3-S	0 to 20	± 1.0
27 2 0 6 2 3	10 to 50	± 2 bar
27 2 0 6 2 4	10 to 100	± 3 bar



HTA Instrumentation Pvt Ltd.

NO.73, Ramachandra Agrahara, Near T. R. Mills, Chamarajpet, Bangalore560018, India
 TEL: 080-26749750, 26759253 FAX: 080-26740681, E-mail: hitechas@eth.net, Web: www.htaipl.com

