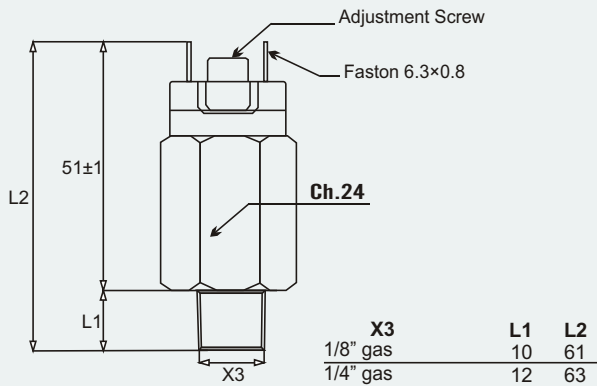


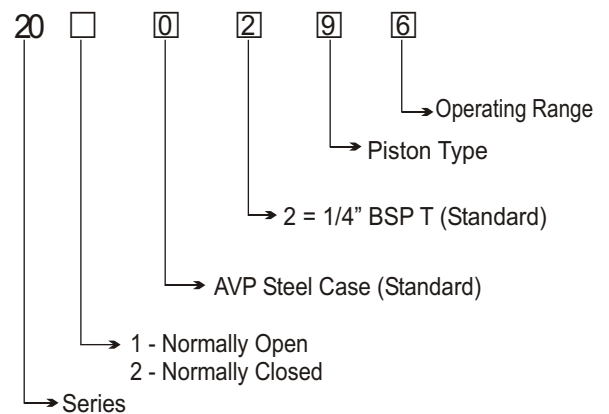
PRESSURE SWITCH

MOD. 20



- **Case** : Passivated AVP steel
- **Electric contact** : Silver plated
- **Max switches current** : 5A, 250 VAC
- **Max fluid temperature** : 120°C
- **Mechanical working life** : 10⁶ Operations
- **Action type** : 1B
- **Weight** : 100 gms Max
- **Protection degree**
 - a) with cap 3015001 : IP 54
 - b) with cap 3900001 : IP 65
- **Process connection** : 1/4" BSP, others on request
- **O Ring** : NBR

Ordering codes



PART NUMBER

Normally open	Normally Closed	Setting range (in bar)	Hysteresis (in bar)
20 1 0 2 9 6	20 2 0 2 9 6	30 to 150	± 5
20 1 0 2 9 7	20 2 0 2 9 7	150 to 300	± 7

600 bar

Max static pressure



HTA Instrumentation Pvt Ltd.

NO.73, Ramachandra Agrahara, Near T. R. Mills, Chamaraipet, Bangalore 560018, India
 TEL: 080-26749750, 26759253 FAX: 080-26740681, E-mail: hitechas@eth.net, Web: www.htaipl.com

